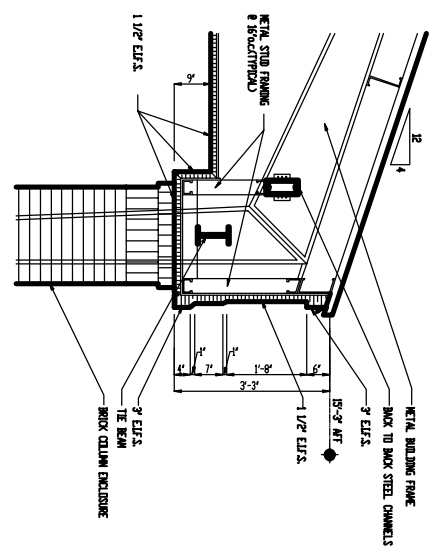
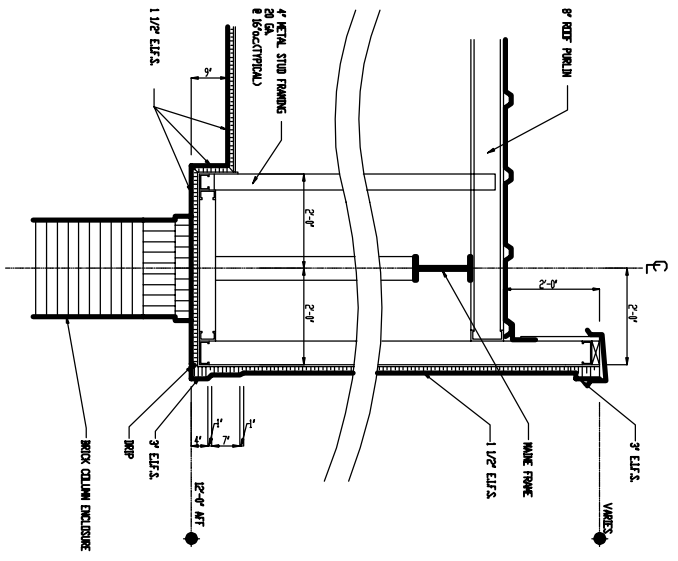


WALL SECTION
SCALE: 3/4" = 1'-0"



CANOPY SECTION
SCALE: 3/4" = 1'-0"



CANOPY SECTION
SCALE: 3/4" = 1'-0"

NEW SECONDARY SCHOOL/GYMNASIUM
FOR
PRATTVILLE CHRISTIAN ACADEMY
PRATTVILLE ALABAMA

SHEET TITLE
WALL SECTIONS

PROJECT NUMBER	PCA
FILE NUMBER	A30
DATE	JAN 03, 2005
REVISION	

SHEET NUMBER
A3.0

MARSHALL
CONSTRUCTION
General Contractors
P.O. Box 70128 Montgomery, Alabama 36107-0128
www.marshallconstruction.com